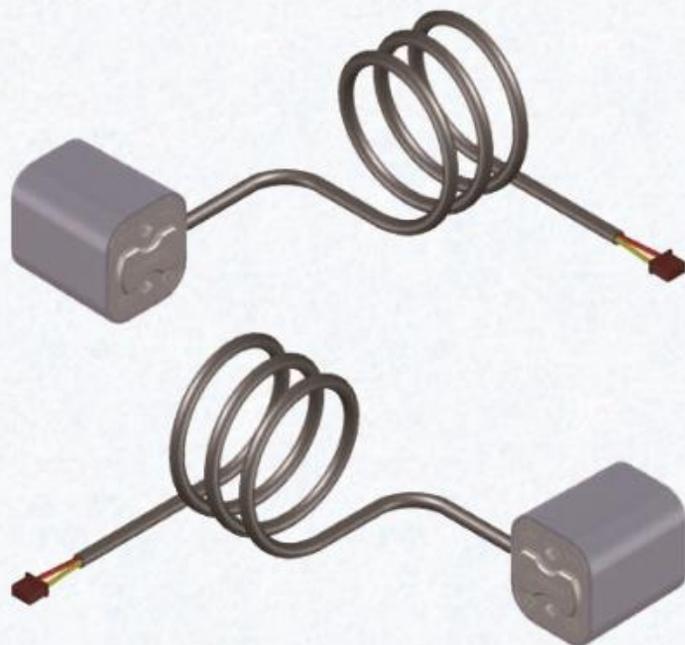


Szelec



SPK-06系列

杂物电梯位置感应开关

Dumbwaiter Leveling Switch

使 用 说 明 书
INSTRUCTION SHEET

感谢您购买本公司开发生产的开关产品，请您在使用本产品前详细阅读本使用说明。

Thanks for purchasing the switch products developed and produced by us!

Please read the instructions carefully before using the products.

济南上智电气有限公司

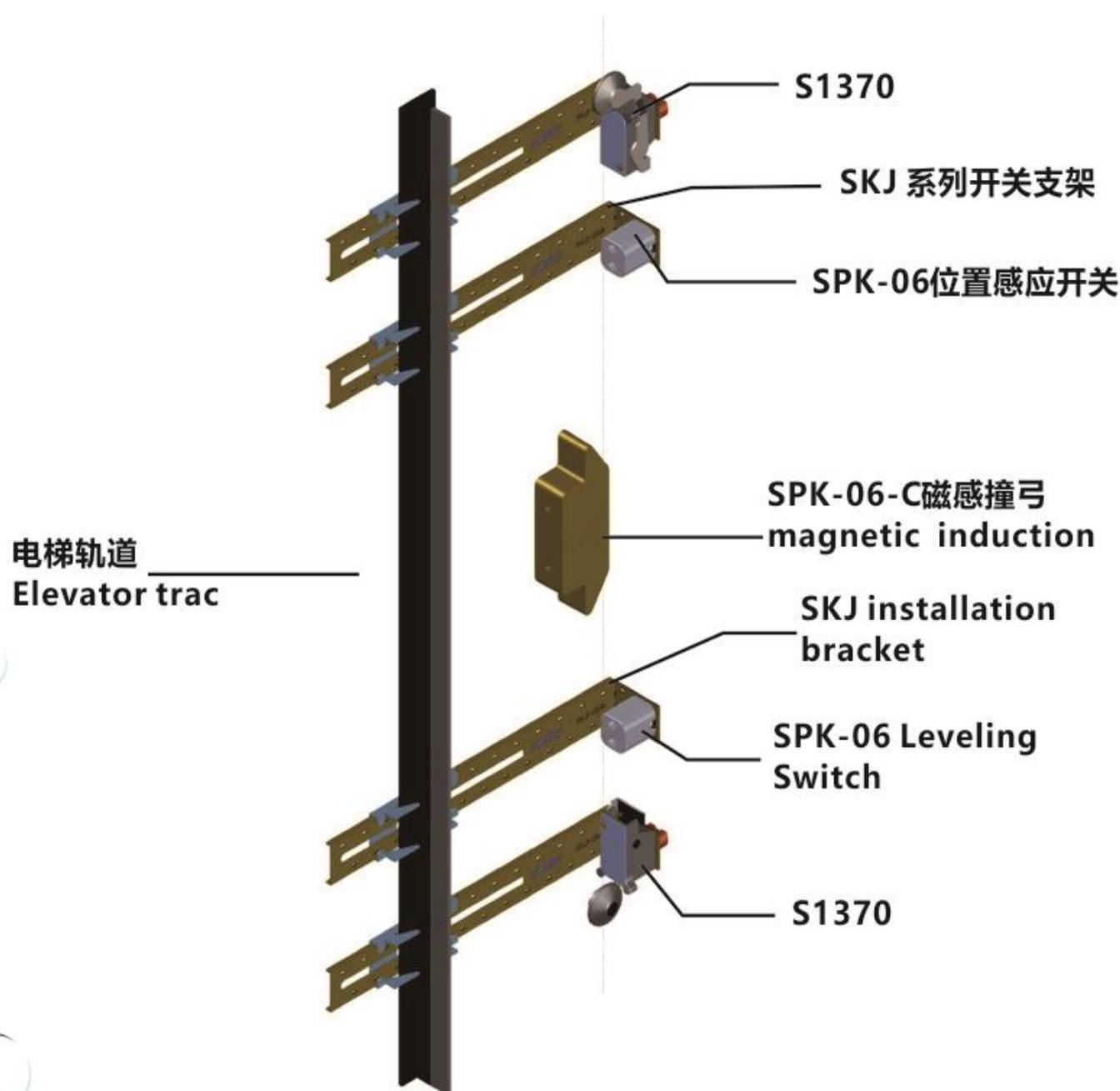
● 开关说明 INSTRUCTION

- 本产品为SPK-06系列安全开关，是针对杂物电梯使用环境和存在的突出问题而设计的专用平层开关。
- This switch is SPK-06 series leveling switch. It is a special leveling switch designed for the use environment and outstanding problems of dumbwaiter.
- 使用国际最先进的HAMLIN干簧管控制，反应灵敏。与SPK-C磁感功能撞弓配合使用，最大感应距离可达60mm。
- Using the most advanced HAMLIN reed control, the reaction is very sensitive. The maximum induction distance is up to 60mm with the SPK-C magnetic induction function.
- 具有极强的防潮和抗震性能。
- It has very strong moisture resistance and seismic performance.
- 与SKJ专用安装支架搭配使用，并配有3米插件电缆线，安装使用简单方便。
- Equipped with special installation bracket, and equipped with 3 meters plug-in cable line, installation and use is simple and convenient.
- 装配结构、方式及空间和井道极限开关完全相同，与SPK-C磁感功能撞弓完美配合，实现统一垂直线的整齐、简单、高效安装。
- The assembly structure, the way and the space of the limit switch of the well track are exactly the same. It is perfectly matched with the SPK-C magnetic sensing function, so as to realize the uniform, simple and efficient installation of the unified vertical line.

● 安装指导 INSTALLATION

安装方式：使用专用SKJ支架安装在轨道上。

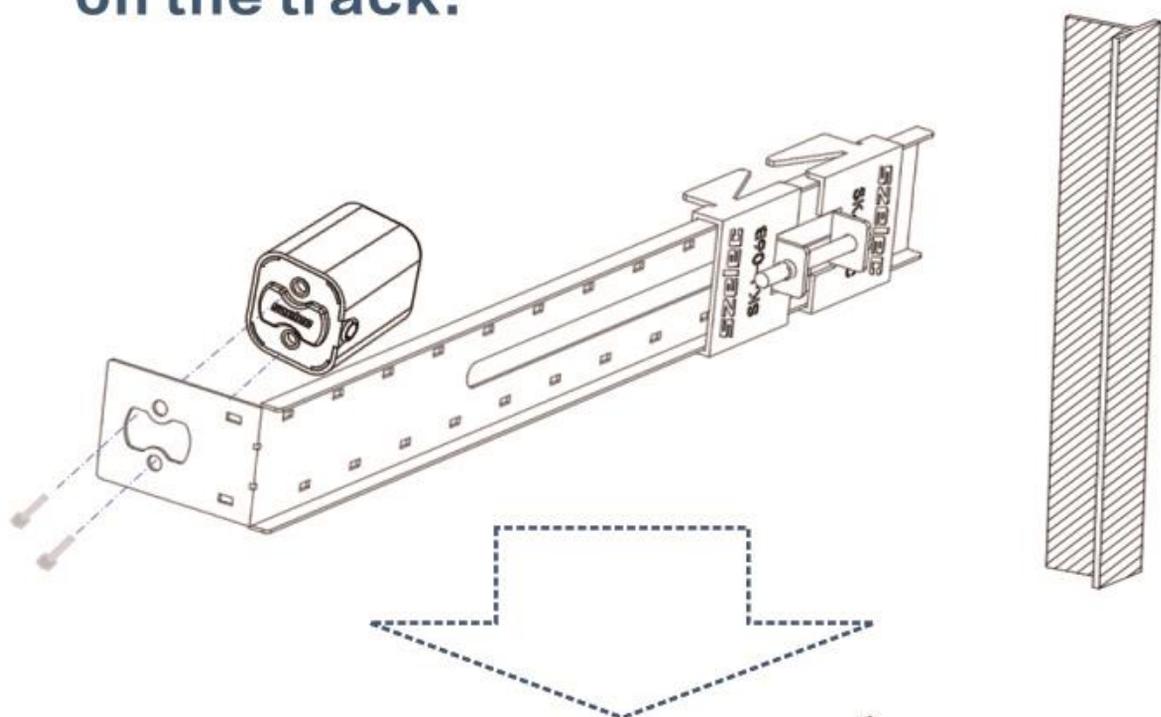
installation recommendation: The use of a special SKJ bracket is installed on the track.



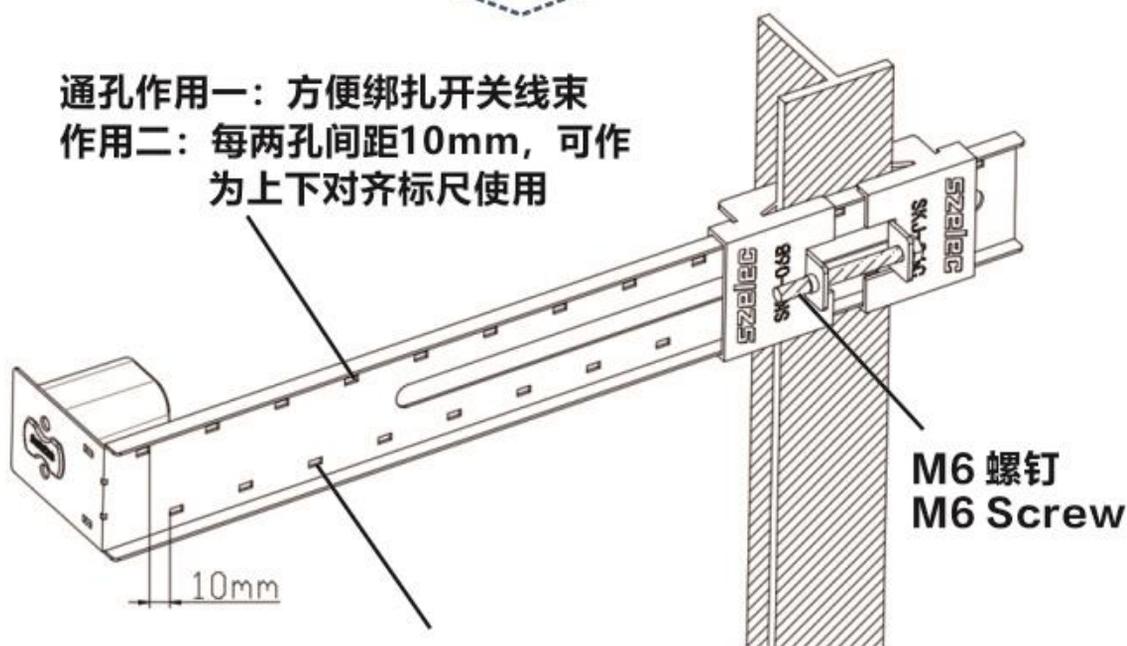
● 安装指导 INSTALLATION

安装方式：使用专用SKJ支架安装在轨道上。

installation recommendation: The use of a special SKJ bracket is installed on the track.



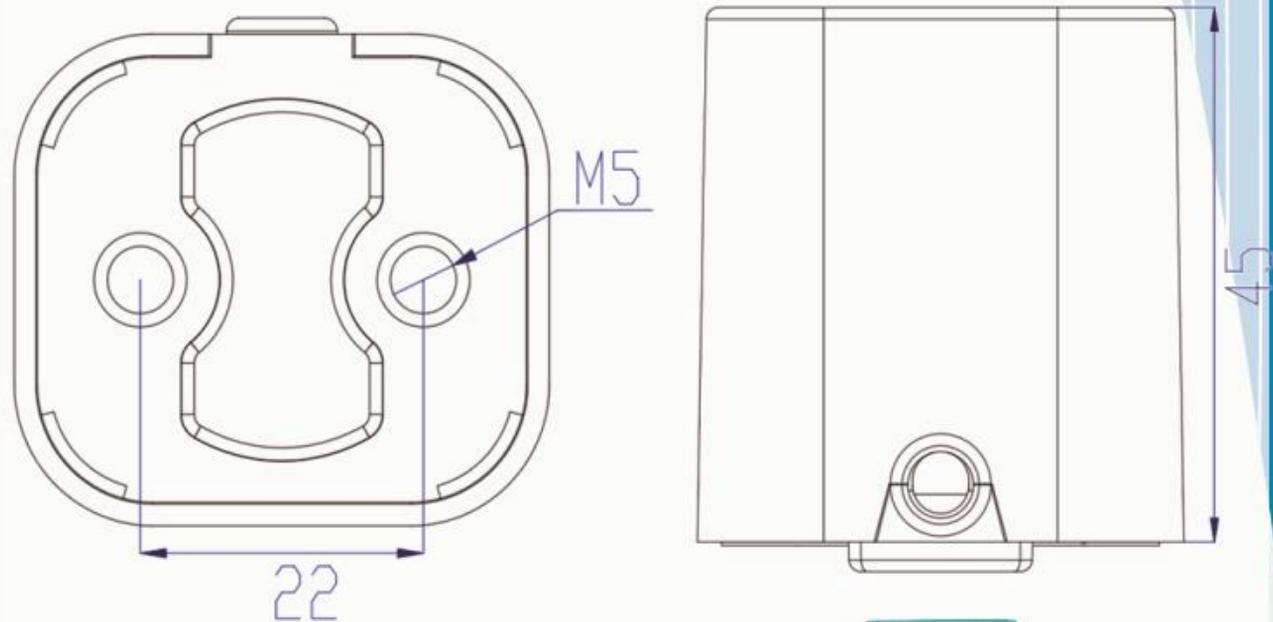
通孔作用一：方便绑扎开关线束
作用二：每两孔间距10mm，可作为上下对齐标尺使用



The function of through hole:

1. Convenient ligation of wire harness
2. pitch of holes is 10mm, Can be used as a ruler to align up and down.

安装尺寸 DIMENSIONS (mm)



接线示意图
Wiring Schematic

● 技术特性

项 目	单 位	额 定
开关类型		电磁式接近开关-常开
最大感应距离	mm	60
寿命	次	>300000
最大闭合反应时间	ms	1.0
最大释放反应时间	ms	1.0
防护等级		IP55
最大开关功率	w	10
最大开关电压	v	DC200 AC140
最小击穿电压	v	250
最大开关电流	A	0.5
最大负载电流	A	1.2
最大接触阻抗	Ω	0.2
最小绝缘阻抗	Ω	10^{10}
工作温度	$^{\circ}\text{C}$	-40~+140

MAIN TECHNICAL PARAMETERS

Menu	Unit	Rated value
Switch		Normally Open
Induction distance	mm	60
Life	times	>300000
Operate Time	ms-max	1.0
Release Time	ms-max	1.0
Ingress Protection		IP55
Contact Rating	VA/Watt-max	10
Switching Voltage	V-max	DC200 AC140
Breakdown Voltage	V-min	DC250
Switching Current	A-max	DC0.5 AC0.35
Breakdown Current	A-max	DC1.2
Contact Resistance	Ω -max	0.2
Insulation	Ω -min	10^{10}
Operating Temperature	$^{\circ}\text{C}$	-40~+140

